

Technical data sheet

Product features



Open stand

Model

SAP Code

00008185



– Material: AISI 304

Technical data sheet

Technical drawing

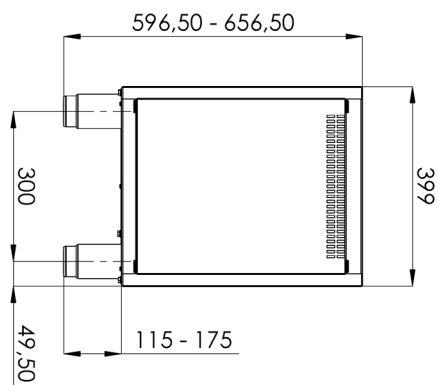
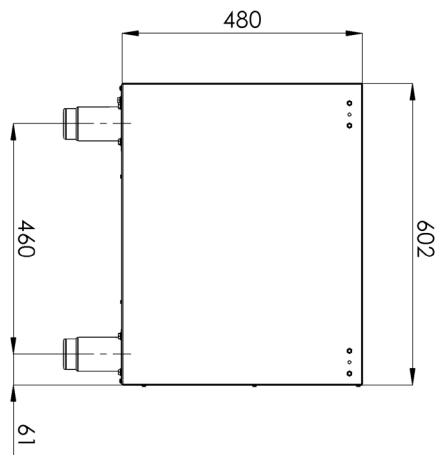


Open stand

Model

SAP Code

00008185



Technical data sheet

Technical parameters



Open stand

Model

SAP Code

00008185

1. SAP Code:

00008185

6. Gross Width [mm]:

440

2. Net Width [mm]:

400

7. Gross depth [mm]:

800

3. Net Depth [mm]:

730

8. Gross Height [mm]:

1080

4. Net Height [mm]:

600

9. Gross Weight [kg]:

18.50

5. Net Weight [kg]:

15.20

10. Material:

AISI 304